

JVC

HEATER UNIT

KA-ZH215U

INSTRUCTIONS

Thank you for purchasing the JVC option heater unit. To obtain the best results from your new camera, read these instructions carefully before use; retain the manual for future reference.

For Customer Use:

Enter below the Serial No. which is located on the body.
Retain this information for future reference.

Model No.
Serial No.

These instructions are for KA-ZH215U
These are general IMPORTANT SAFEGUARDS and certain items may not apply to all appliances.

IMPORTANT SAFEGUARDS

1. Read all of these instructions.
2. Save these instructions for later use.
3. All warnings on the product and in the operating instructions should be adhered to.
4. Unplug this appliance system from the wall outlet before cleaning. Do not use liquid cleaners or aerosol cleaners. Use a damp cloth for cleaning.
5. Do not use attachments not recommended by the appliance manufacturer as they may cause hazards.
6. Do not use this appliance near water - for example, near a bathtub, washbowl, kitchen sink, or laundry tub, in a wet basement, or near a swimming pool, etc.
7. Do not place this appliance on an unstable cart, stand, or table. The appliance may fall, causing serious injury to a child or adult, and serious damage to the appliance. Use only with a cart or stand recommended by the manufacturer, or sold with the appliance. Wall or shelf mounting should follow the manufacturer's instructions, and should use a mounting kit approved by the manufacturer. An appliance and cart combination should be moved with care. Quick stops, excessive force, and uneven surfaces may cause the appliance and cart combination to overturn.
8. Slots and openings in the cabinet and the back or bottom are provided for ventilation, and to insure reliable operation of the appliance and to protect it from overheating, these openings must not be blocked or covered. The openings should never be blocked by placing the appliance on a bed, sofa, rug, or other similar surface. This appliance should never be placed near or over a radiator or heat register. This appliance should not be placed in a built-in installation such as a bookcase unless proper ventilation is provided.
9. This appliance should be operated only from the type of power source indicated on the marking label. If you are not sure of the type of power supplied to your home, consult your dealer or local power company. For appliance designed to operate from battery power, refer to the operating instructions.
10. For added protection for this product during a lightning storm, or when it is left unattended and unused for long periods of time, unplug it from the wall outlet and disconnect the antenna or cable system. This will prevent damage to the product due to lightning and power-line surges.
11. Do not allow anything to rest on the power cord. Do not locate this appliance where the cord will be abused by persons walking on it.
12. Follow all warnings and instructions marked on the appliance.
13. Do not overload wall outlets and extension cords as this can result in fire or electric shock.
14. Never push objects of any kind into this appliance through cabinet slots as they may touch dangerous voltage points or short out parts that could result in a fire or electric shock. Never spill liquid of any kind on the appliance.
15. Do not attempt to service this appliance yourself as opening or removing covers may expose you to dangerous voltage or other hazards. Refer all servicing to qualified service personnel.
16. Unplug this appliance from the wall outlet and refer servicing to qualified service personnel under the following conditions:
 - a. When the power cord or plug is damaged or frayed.
 - b. If liquid has been spilled into the appliance.
 - c. If the appliance has been exposed to rain or water.
 - d. If the appliance does not operate normally by following the operating instructions. Adjust only those controls that are covered by the operating instructions as improper adjustment of other controls may result in damage and will often require extensive work by a qualified technician to restore the appliance to normal operation.
 - e. If the appliance has been dropped or the cabinet has been damaged.
 - f. When the appliance exhibits a distinct change in performance - this indicates a need for service.
17. When replacement parts are required, be sure the service technician has used replacement parts specified by the manufacturer that have the same characteristics as the original part. Unauthorized substitutions may result in fire, electric shock, or other hazards.
18. Upon completion of any service or repairs to this appliance, ask the service technician to perform routine safety checks to determine that the appliance is in safe operating condition.

PORTABLE CART WARNING
(symbol provided by RETAC)



S3125A

INFORMATION FOR USA

■ INFORMATION

This equipment has been tested and found to comply with the limits for a Class B digital device, pursuant to Part 15 of the FCC Rules.

These limits are designed to provide reasonable protection against harmful interference in a residential installation. This equipment generates, uses, and can radiate radio frequency energy and, if not installed and used in accordance with the instructions, may cause harmful interference to radio communications. However, there is no guarantee that interference will not occur in a particular installation.

If this equipment does cause harmful interference to radio or television reception, which can be determined by turning the equipment off and on, the user is encouraged to try to correct the interference by one or more of the following measures:

- Reorient or relocate the receiving antenna.
- Increase the separation between the equipment and receiver.
- Connect the equipment into an outlet on a circuit different from that to which the receiver is connected.
- Consult the dealer or an experienced radio/TV technician for help.

■ CAUTION

CHANGES OR MODIFICATIONS NOT APPROVED BY JVC COULD VOID USER'S AUTHORITY TO OPERATE THE EQUIPMENT.

Dear Customer,

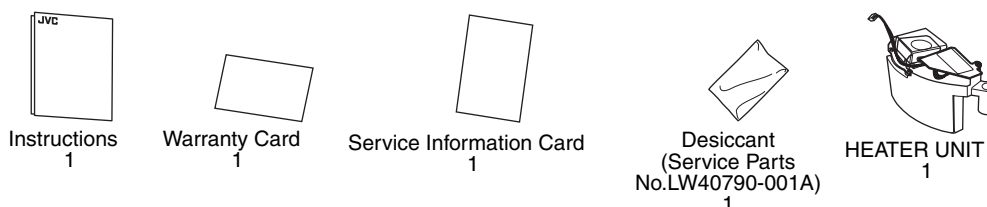
This apparatus is in conformance with the valid European directives and standards regarding electromagnetic compatibility and electrical safety.

European representative of Victor Company of Japan Limited is:
JVC Technology Centre Europe GmbH
P.O.Box 10 05 52
61145 Friedberg
Germany

PRECAUTION

- To save energy, turn the power off when not in use.
- This unit is a special heater for TK-C215VP4U, TK-C215VP4E, TK-C215VP12U, TK-C215VP12E (henceforth referred to TK-C215VP series) Dome camera. It cannot be installed to other color video cameras.
- **Use AC 24 V power supply for TK-C215VP series.**
- Do not modify this machine without prior permission. Accidents may occur.
- Refer to the instructions for TK-C215VP series on installing the camera and connecting the cables.
- After installing to TK-C215VP series, switch off the machine power supply and then connect.
- Always use the desiccant that comes with this unit. Other desiccants or the desiccant that comes with TK-C215VP series are unable to remove moisture completely under extreme low temperature.
- When the heater board is installed, the switch on the camera unit is hidden and image adjustment cannot be made. Always adjust the image quality before installing the heater.
- Do not use the heater unit in the following locations:
 - Locations where the surrounding temperature exceeds -22°F to 122°F (-30°C to 50°C).
 - Locations where corrosive gas occurs.
 - Vibrating locations
- Do not touch this unit during operation or after operation as its temperature is high. It may cause a burn.

Contents



Installation Method

Mount this unit onto TK-C215VP series.

Step 1: Disassembling TK-C215VP series

Switch off the power supply of the camera.

1. Removing the dome cover

Remove the dome cover by unfastening the 3 fastening screws using the wrench supplied.

Memo

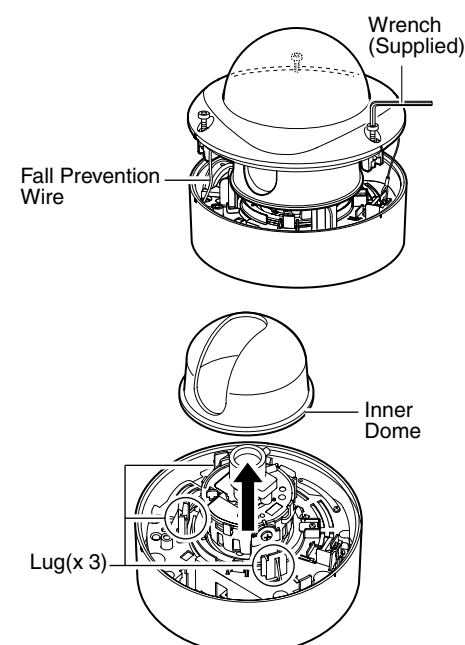
- The dome cover and base are connected with fall prevention wire.

2. Removing the inner dome

The inner dome is fastened using lugs at 3 different positions. Grasp the inner dome and remove it from the lugs.

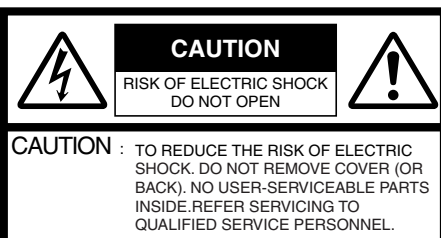
Note

- Before touching the camera unit, make sure to touch the metal surface of the [MONITOR] terminal to discharge any static electricity from your body. Static electricity may cause the camera to malfunction.



* TK-C215VP4 is used in the illustration.

FOR USA AND CANADA



The lightning flash with arrowhead symbol, within an equilateral triangle is intended to alert the user to the presence of uninsulated "dangerous voltage" within the product's enclosure that may be of sufficient magnitude to constitute a risk of electric shock to persons.

The exclamation point within an equilateral triangle is intended to alert the user to the presence of important operating and maintenance (servicing) instructions in the literature accompanying the appliance.

Due to design modifications, data given in this instruction book are subject to possible change without prior notice.

WARNING:
TO REDUCE THE RISK OF FIRE OR ELECTRIC SHOCK, DO NOT EXPOSE THIS APPLIANCE TO RAIN OR MOISTURE.

AVERTISSEMENT:
POUR EVITER LES RISQUES D'INCENDIE OU D'ELECTROCUTION, NE PAS EXPOSER L'APPAREIL A L'HUMIDITE OU A LA PLUIE.

INFORMATION (FOR CANADA) RENSEIGNEMENT (POUR CANADA)

This Class B digital apparatus complies with Canadian ICES-003.

Cet appareil numérique de la Classe B est conforme à la norme NMB-003 du Canada.

Step2: Mounting this unit onto TK-C215VP series

1. Install TK-C215VP series on the ceiling

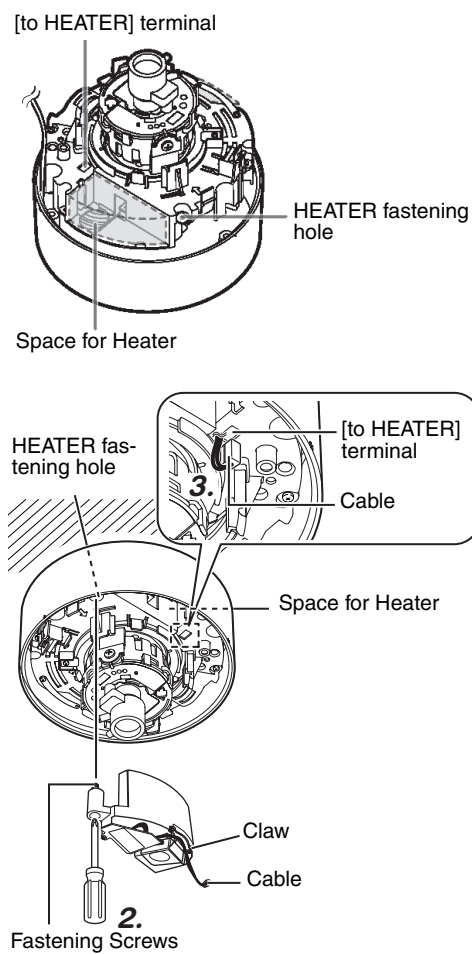
Refer to TK-C215VP series "INSTRUCTIONS" for the installation method.

2. Mounting this unit onto Space for Heater of TK-C215VP series

- Mount this unit onto DOME CAMERA as shown in the right figure.
- Insert the claw of this unit into Space for Heater. Make sure to mount properly.
- After inserting this unit into Space for Heater, make sure to tighten the fastening screw of this unit with a + screwdriver.

3. Connecting cable

Connect the cable to the [to HEATER] terminal of TK-C215VP series.



* TK-C215VP4 is used in the illustration.

Step3: Adjust the field of view and lens of the camera

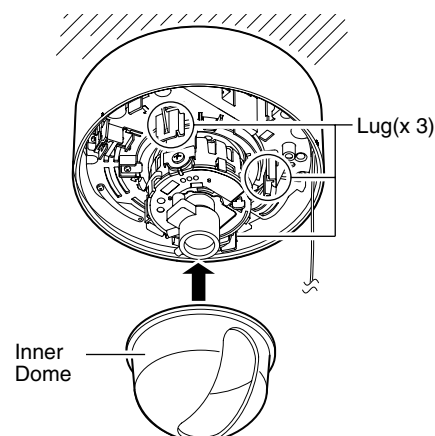
Switch on the power supply of the camera. Refer to TK-C215VP series "INSTRUCTIONS" on how to adjust the field of view and lens of the camera. After adjusting the field of view and lens of the camera, switch off the power supply of the camera.

Step4: Install the inner dome

Mount the inner dome to the 3 lugs.

Note

- Mount the inner dome such that it does not cover the lens.
- When mounting the inner dome, make sure not to move the position of the lens. Doing so may cause the preset angle of view to go out of alignment.



* TK-C215VP4 is used in the illustration.

Step5: Inserting the Desiccant supplied

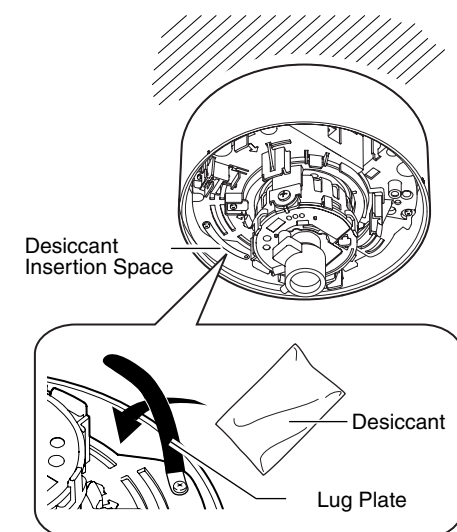
Take out the desiccant from the aluminum package, insert it into the desiccant insertion space of the camera unit and fasten using the lug plate.

Memo

- During reconnection or re-installation after repair or maintenance, make sure to replace the desiccant with a new one.
- Consult your nearby JVC's dealer on the replacement procedures. Serial number of part to be replaced: Use a LW40790-001A desiccant.

Note

- When mounting is performed on a rainy day, make sure that rain water does not enter this unit.
- Make sure to use the desiccant supplied. Failure to do so may cause the camera lens and dome cover to fog.
- If the angle of view is not adjusted immediately after mounting the camera, insert the desiccant after adjustment is completed. The desiccant loses its effect if it is exposed to the air for a prolonged period of time.



* TK-C215VP4 is used in the illustration.

Step6: Installing the dome cover

1. Cleaning the dome cover

Before mounting, remove any dust or dirt from the dome cover.

Memo

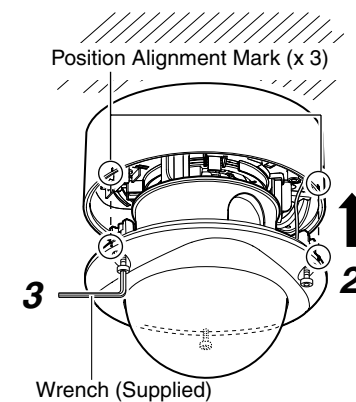
- Dirt that is not removed from the cover before mounting may appear on the camera's image.
- Do not apply excessive force to the dome cover such as stretching it.

2. Mounting the dome cover to the base

Mount the dome cover by aligning the 3 position marks on the base with the dome cover.

Note

- When mounting the dome cover, take note that the desiccant is not caught between base and dome cover.



* TK-C215VP4 is used in the illustration.

3. Fastening the dome cover

Fasten by tightening the 3 fastening screws of the dome cover using the wrench supplied.

Step7: Check items after installation

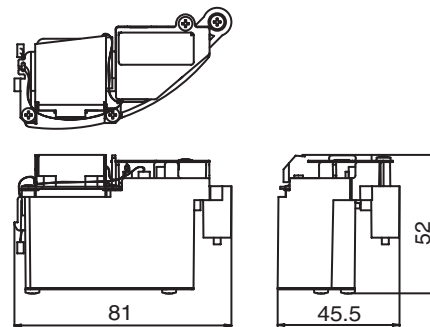
Check the following items after installation.

- Is the power supply for TK-C215VP series AC 24 V?
- Have you inserted the desiccant that comes with this unit?
- Does an image appear normally on the monitor after switching on the power for TK-C215VP series?
- Is the cable of this unit connected to the [to HEATER] terminal of TK-C215VP series?
- Has the fastening screw of this unit been tightened properly?

Specifications

Power supply / Voltage	: AC 24 V \pm 10%, 60 Hz/50 Hz
Power consumption	: 18 W (during AC 24 V)
Heater operation	: Surrounding temperature -22 °F to 32°F (-30°C to 0°C)(auto on/off) * By using this unit, the operation guarantee temperature of the camera becomes -22 °F to 122°F (-30°C to 50°C)
Mass	: 56 g
Accessories	: Instructions 1 Warranty Card 1 Service Information Card 1 Desiccant 1 (Service Parts No.LW40790-001A)

■ Dimensions(Unit: mm)



* Design and specifications are subject to change without notice.

Information for Users on Disposal of Old Equipment

[European Union]

This symbol indicates that the electrical and electronic equipment should not be disposed as general household waste at its end-of-life. Instead, the product should be handed over to the applicable collection point for the recycling of electrical and electronic equipment for proper treatment, recovery and recycling in accordance with your national legislation.

By disposing of this product correctly, you will help to conserve natural resources and will help prevent potential negative effects on the environment and human health which could otherwise be caused by inappropriate waste handling of this product. For more information about collection point and recycling of this product, please contact your local municipal office, your household waste disposal service or the shop where you purchased the product.

Penalties may be applicable for incorrect disposal of this waste, in accordance with national legislation.

(Business users)

If you wish to dispose of this product, please visit our web page www.jvc-europe.com to obtain information about the take-back of the product.

[Other Countries outside the European Union]

If you wish to dispose of this product, please do so in accordance with applicable national legislation or other rules in your country for the treatment of old electrical and electronic equipment.



Attention:
This symbol is only valid in the European Union.

JVC